

## CETONI Nemesis M

### Flow Performance

Syringe	Volume stroke [mm]	Parameter			Pressure max. [Bar/psi]
		Flow rate min. [nl/min]	Recommended pulse free limit [µl/min]	Flow rate max. [ml/min]	
3 ml	59,616	2,31	0,5	18	199 / 2882
5 ml	58,797	3,90	0,8	30	118 / 1706
10 ml	58,878	7,8	1,7	61	59 / 854
25 ml	59,106	19,4	4,2	152	24 / 343
50 ml	59,145	38,8	8,5	304	12 / 172

### Materials and Ports

<b>Fluid ports</b>	Syringe: 1/8" female ISO (for 1/16", 1/8", 1/4" – tube fittings) and 1/4"-28UNF for piston rinsing version
<b>Wetted materials</b>	316L steel / Hastelloy O-ring version: FKM / EPDM / FFKM Plain seal ring version: PTFE, Fluorosint 207

### Performance Data

<b>Pusher velocity max.</b>	6 mm/s
<b>Pusher velocity min.</b>	0,765 nm/s
<b>Pusher travel min.</b>	5,605 nm
<b>Pusher force max.</b>	1000 N
<b>Travel range max.</b>	61 mm

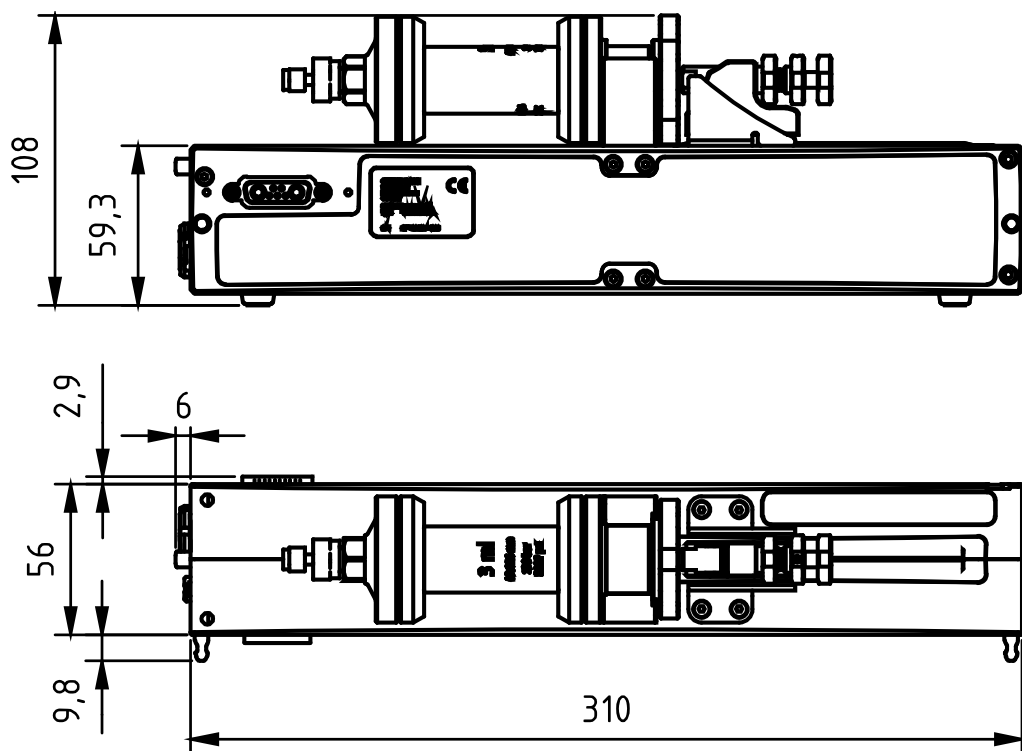
## CETONI Nemesis M

### Electrical Data

<b>Power supply voltage</b>	24 V DC
<b>Peak power consumption</b>	24 W

### Mechanical Data

<b>Weight</b>	2,3 kg
<b>Dimensions [L x W x H]</b>	310 x 56 x 108 mm



## CETONI Nemesis M

---

### Environmental Data

<b>Operating temperature</b>	-20 – 50 °C
<b>Storage temperature</b>	-40 – 75 °C
<b>Operating humidity</b>	10 – 90 % (non-condensing)
<b>Storage humidity</b>	10 – 90 % (non-condensing)

### Interfaces

<b>CAN</b>	1 Mbit/s max.
<b>RS232</b>	115200 bit/s max.
<b>USB</b>	with USB-CAN module
<b>I/O (for valve and pressure sensor)</b>	12 bit